



WARN Industrial Winch

Model

**Series 9-C-48
Hydraulic Winch
Manual Clutch**

Part Number

30282

Motor Type

Hydraulic
4.9 ci
(80 cc)



The Series 9 hydraulic winch features a 2-stage planetary gear train with a total reduction of 27:1. This winch uses a heavy duty automatic disc brake and a locking clutch lever. The 4" (102mm) steel drum provides excellent durability for the wire rope. Designed to meet SAE J706 and CE standards.

Accessories

| Description: | Part Number |
|-----------------------------------|-------------|
| Wire Rope Tension Plate 10" | 31149 |
| Fairlead Black 10" | 24336 |
| Fairlead Chrome 10" | 30859 |
| Remote Clutch Mechanical | 38316 |
| Remote Clutch Air | 71370 |
| Wire Rope Assembly 3/8"x125' EIPS | 23674 |

Engineering Data

| | | |
|---|-------------------------|-------------|
| Rated Pulling Force: | 9000 lbf | 4082 kgf |
| Drum Barrel Diameter: | 4.00 in | 102 mm |
| Drum Flange Diameter: | 8.24 in | 209 mm |
| Distance Between Flanges: | 9.95 in | 253 mm |
| Recommended Maximum Wire Rope Diameter: | 1/2 in | 12.7 mm |
| Recommended Minimum Wire Rope Breaking Strength: | 15100 lbf | 6849 kgf |
| Approximate Shipping Weight: | 98.0 lb | 44.5 kg |
| Duty Cycle (intermittent per SAE J706 section 6.2): | 1034 ft | 315 m |
| Mounting Bolt Torque: | 35 - 40 ft*lb | 47 - 54 N*m |
| Maximum Layers of Wire Rope: | 4 (with 3/8" dia. rope) | |
| Gear Reduction: | 27:1 | |
| Brake Type: | Disk | |
| Contactor / Remote Type: | N/A | |

Drum Rotation



Viewed from Motor End

Standards Compliance

1. -SAE J706

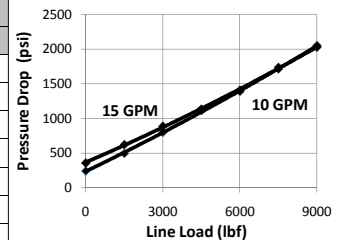
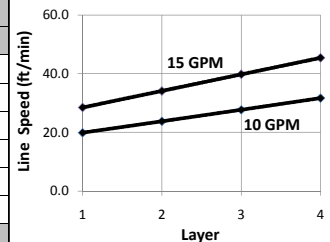
Performance By Layer- 3/8" (9.5 mm) dia. rope

| Drum Layer | Line Load * | | | Line Speed 10 GPM | | Line Speed 15 GPM | | Drum Capacity | |
|------------|-------------|------|------|-------------------|-------|-------------------|-------|---------------|------|
| | lbf | kgf | kN | ft/min | m/min | ft/min | m/min | ft | m |
| 1 | 9000 | 4082 | 40.0 | 19.9 | 6.1 | 28.5 | 8.7 | 25 | 7.6 |
| 2 | 7364 | 3340 | 32.8 | 23.8 | 7.3 | 34.1 | 10.4 | 54 | 16.5 |
| 3 | 6231 | 2826 | 27.7 | 27.7 | 8.4 | 39.8 | 12.1 | 88 | 26.8 |
| 4 | 5400 | 2449 | 24.0 | 31.7 | 9.7 | 45.4 | 13.8 | 126 | 38.4 |

* Never exceed the Rated Pulling Force. Installation of a Rated Capacity Limiter is recommended.

First Layer Performance

| Line Load | | Pressure Drop at 10 GPM | | Pressure Drop at 15 GPM | | Duty Cycle |
|-----------|------|-------------------------|-------|-------------------------|-------|------------|
| lbf | kgf | psi | BAR | psi | BAR | min/10min |
| 0 | 0 | 242 | 16.7 | 358 | 24.7 | N/A |
| 1500 | 680 | 494 | 34.1 | 622 | 42.9 | N/A |
| 3000 | 1361 | 800 | 55.2 | 887 | 61.2 | N/A |
| 4500 | 2041 | 1110 | 76.5 | 1134 | 78.2 | N/A |
| 6000 | 2722 | 1388 | 95.7 | 1405 | 96.9 | N/A |
| 7500 | 3402 | 1710 | 117.9 | 1735 | 119.6 | N/A |
| 9000 | 4082 | 2050 | 141.3 | 2027 | 139.8 | N/A |



WARN INDUSTRIES, INC
Industrial Products

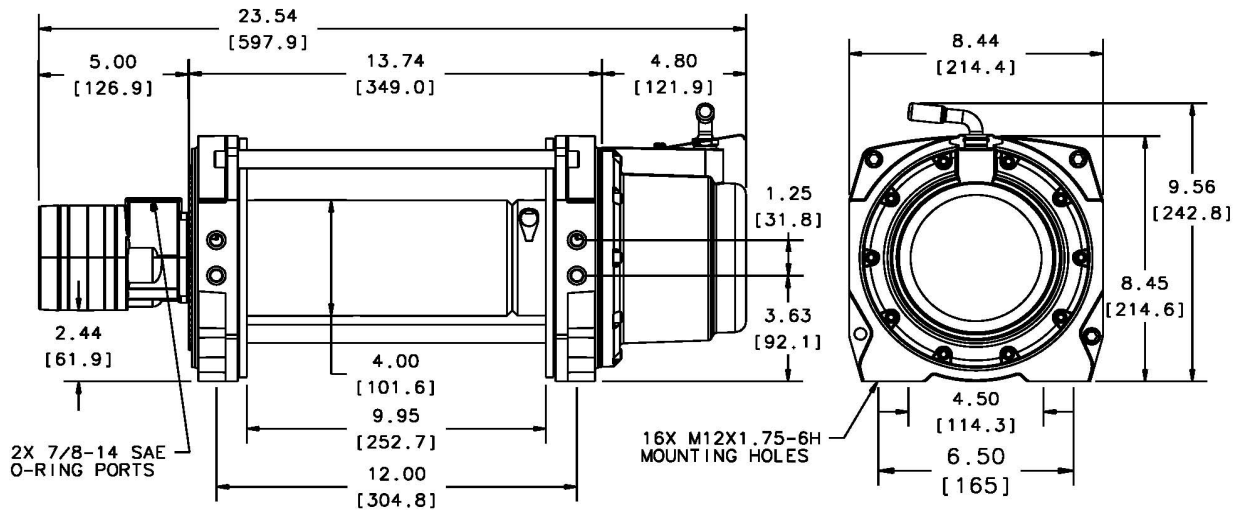
Customer Service (North America): 1.800.543.9276
Customer Service (International): 1.503.722.3008
FAX: 1.503.722.3000 www.warn.com

12900 S.E. Capps Road,
Clackamas, OR USA 97015



WARN Industrial Winch

| Model | Part Number | Motor Type |
|---|-------------|--------------------------------|
| Series 9-C-48 Hydraulic Winch Manual Clutch | 30282 | Hydraulic 4.9 ci (80 cc) |



Motor / Contactor may be rotated in 90 degree increments. Clutch housing may be rotated in 72 degree increments.

Units are given in inches [millimeters], unless otherwise specified

Recommended Mounting- Always Observe Correct Drum Rotation

Hydraulic System Specifications

Pull from bottom of winch



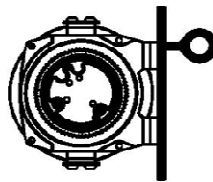
Feet down

Pull from bottom of winch



Feet forward

Pull from top of winch



Feet forward

Pull from top of winch



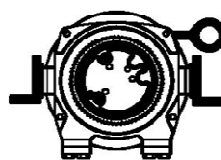
Feet down without angle brace

Pull from top of winch



Feet down with angle brace

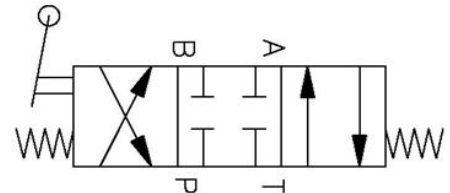
Pull from top of winch



Angle Braces Only

| | | |
|------------------------------|--|---------|
| Maximum System Pressure: | 1950 psi | 135 BAR |
| Maximum Motor Pressure Drop: | 2027 psi | 140 BAR |
| Maximum Rated Input Flow: | 15 GPM | 57 LPM |
| Control Valve Type: | 3-position, 4-way, closed center, spring return (cylinder spool) | |

Control Valve Schematic



Notes:

WARN INDUSTRIES, INC
Industrial Products

Customer Service (North America): 1.800.543.9276
Customer Service (International): 1.503.722.3008
FAX: 1.503.722.3000 www.warn.com

12900 S.E. Capps Road,
Clackamas, OR USA 97015